

## :: CA022 Slip Rings

### Features

Continuous transmission of signal and/or data under 360° unrestrained rotation Less noise, long life Low torque, smooth rotation Electrical Noise<0.01Ω Small compact construction

### Options(On your request)

Number of Circuits Housing material IP class Higher operating speed Cable length Connectors Special cables Salt mist proof Operating temperature Housing can be mounted upside down



CA022 series Slip Rings

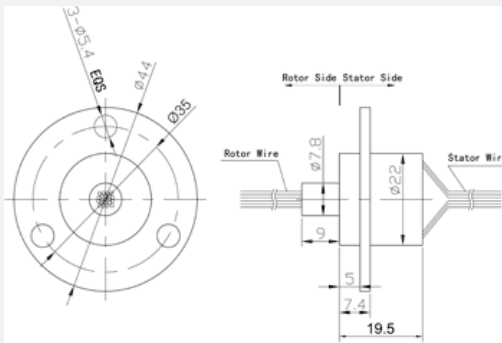
[Online Chat](#)

Parts#	Circuits(Rings)	Length
CA022-06	6Xsignal(2A)	18.2mm
CA022-12	12Xsignal(2A)	26mm
CA022-18	18Xsignal(2A)	33mm
CA022-24	24Xsignal(2A)	40mm
CA022-36	36Xsignal(2A)	57.3mm
CA022-0315	3X15A	42mm
CA022-0330	3X30A	42mm

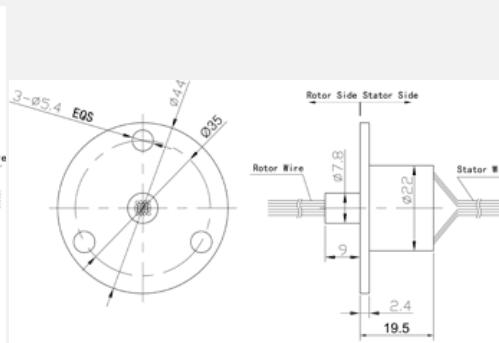
### Specifications

Working Speed	0~300RPM	Rings	2A/ring,400VDC/VAC
Housing Material	Plastics	Torque	0.01N.m;+0.01N.m/6rings
Working life	>50 million revolutions	Contact material	Precious Metal:Gold-Gold
Electrical noise	<5mOhn	Contact Resistance	<2mOhm
Dielectric strength	500VDC@50Hz	Lead Wire	UL Teflon® Awg28,Awg12
Insulation resistance	1000MΩ@600VDC	Lead Lengths	250mm(12")
Operating Temp.	-40°C to 80°C	Storage Temp.	-55°C to 85°C
Bearing	Deep groove ball	Protection	IP51

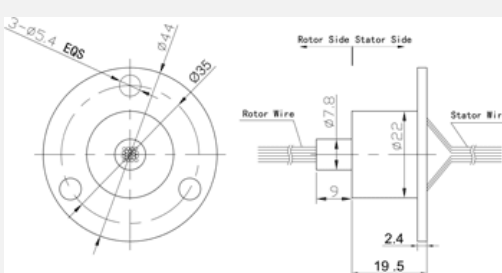
### Drawings



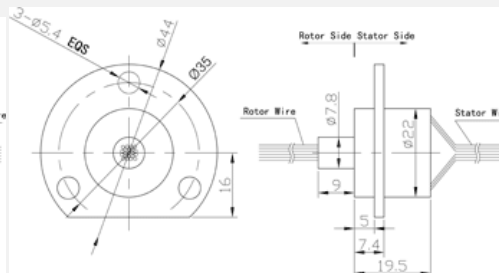
CA022-06-A



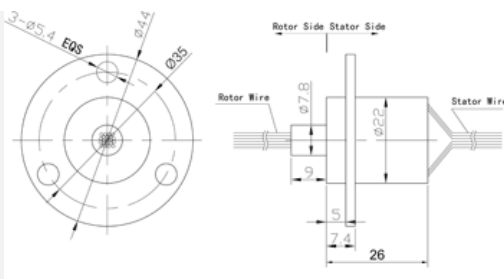
CA022-06-B



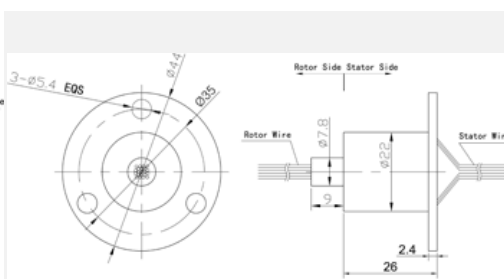
CA022-06-C



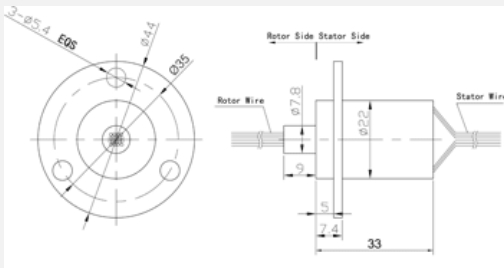
CA022-06-D



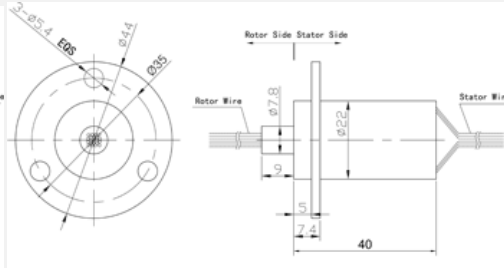
CA022-12-A



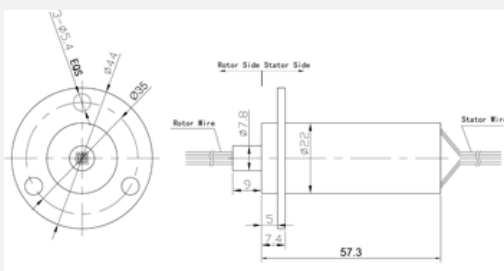
CA022-12-B



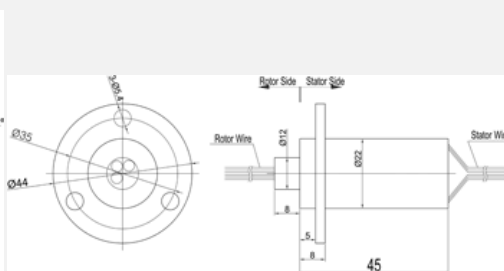
CA022-18



CA022-24



CA022-36



CA022-0330

**Color Code Seq**

6 colors for one group, indicated with number code pipe.

Lead wire Color codes						
Rings#	1	2	3	4	5	6
Color	BLK	RED	YEL	GRN	BLU	WHT

**Typical applications**

CCTV pedestal Automatic arm Medical equipments Rotary index table Production line, industry process equipments

**Customized on your request**

If you don't see what you want in this website, let us know; we may already have it designed or we will modify a design to meet your requirements. In many cases the specifications in the catalog can be changed to include bore size, circuits number, higher current/voltage, flange, lead wire length, shielding, connectors, higher speed, IP68, military grade, higher temperature, mixed with pneumatic/hydraulic capability. Please ask if you don't see exactly what you need as only a small fraction of our Rion slip rings are included in this catalog!

For a detailed outline drawing/3D modal files of a specific model number, or to request a quotation, please contact your local sales representative or send an email to sales@rionsr.com